



Winnipeg Fleet Management Agency • Agence de gestion du parc de véhicules

BO 79-2017

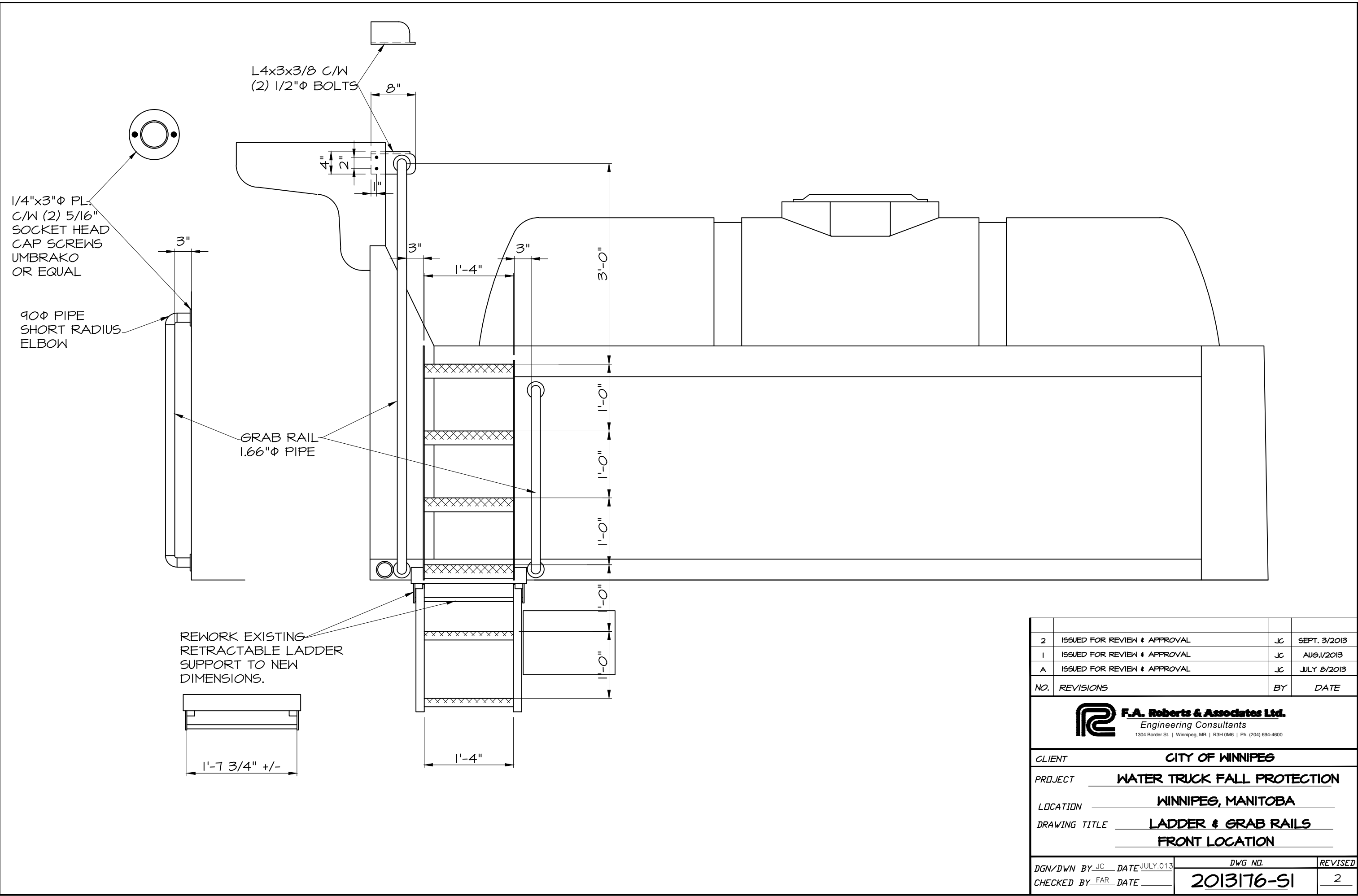
SUPPLY AND DELIVERY OF SINGLE AXLE CHASSIS
WITH VARIOUS BODY CONFIGURATIONS


APPENDIX A

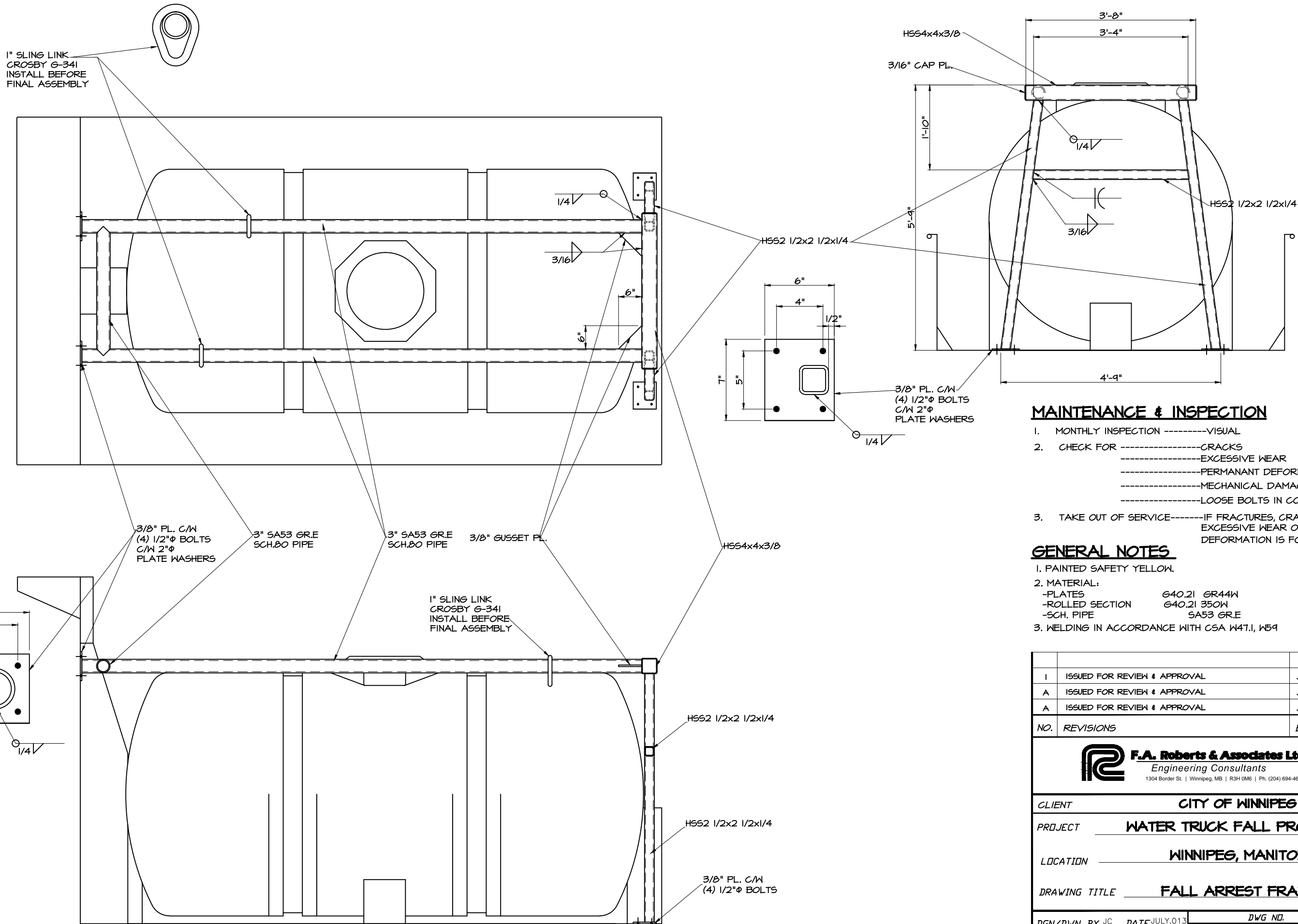
DESIGN REFERENCE FOR:

- LADDER
- FALL ARREST SYSTEM
- TAILGATE
- REAR LIGHTS DIAGRAM

Embrace the spirit • Vivez l'esprit
"Keeping you in motion"



2	ISSUED FOR REVIEW & APPROVAL	JC	SEPT. 3/2013
1	ISSUED FOR REVIEW & APPROVAL	JC	AUG. 1/2013
A	ISSUED FOR REVIEW & APPROVAL	JC	JULY 8/2013
NO.	REVISIONS	BY	DATE
 F.A. Roberts & Associates Ltd. Engineering Consultants <small>1304 Border St. Winnipeg, MB R3H 0M6 Ph. (204) 694-4800</small>			
CLIENT	CITY OF WINNIPEG		
PROJECT	WATER TRUCK FALL PROTECTION		
LOCATION	WINNIPEG, MANITOBA		
DRAWING TITLE	LADDER & GRAB RAILS FRONT LOCATION		
DGN/DWN BY	JC	DATE	JULY.013
CHECKED BY	FAR	DATE	
DWG NO.		2013176-51	
REVISED		2	



MAINTENANCE & INSPECTION

- MONTHLY INSPECTION -----VISUAL
- CHECK FOR -----CRACKS
-----EXCESSIVE WEAR
-----PERMANENT DEFORMATION
-----MECHANICAL DAMAGE
-----LOOSE BOLTS IN CONNECTIONS
- TAKE OUT OF SERVICE-----IF FRACTURES, CRACKS,
EXCESSIVE WEAR OR PERMANENT
DEFORMATION IS FOUND.

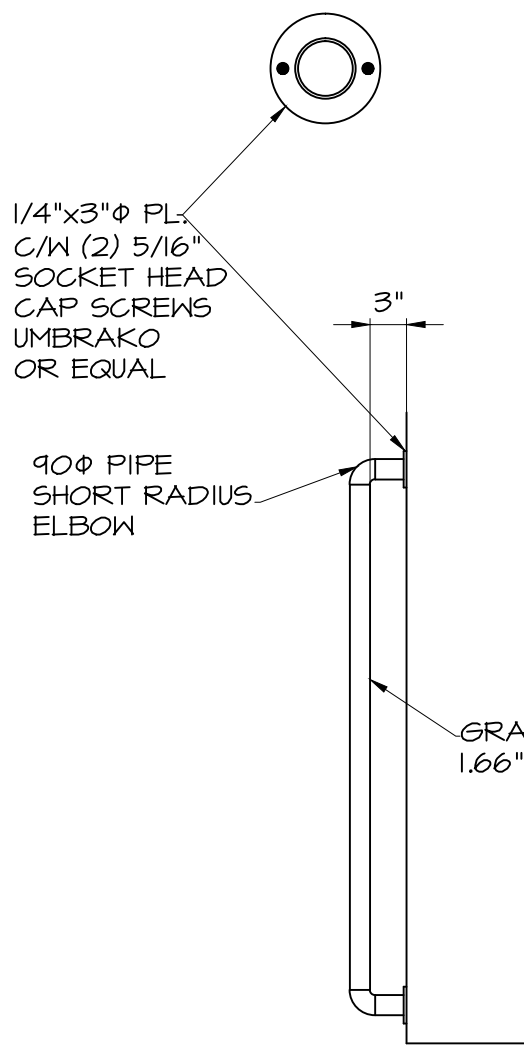
GENERAL NOTES

- PAINTED SAFETY YELLOW.
- MATERIAL:
-PLATES G40.21 GR44W
-ROLLED SECTION G40.21 350W
-SCH. PIPE SA53 GR.E
- WELDING IN ACCORDANCE WITH CSA W47.1, W59

I	ISSUED FOR REVIEW & APPROVAL	JC	AUG.1/2013
A	ISSUED FOR REVIEW & APPROVAL	JC	JULY 19/2013
A	ISSUED FOR REVIEW & APPROVAL	JC	JULY 17/2013
NO.	REVISIONS	BY	DATE



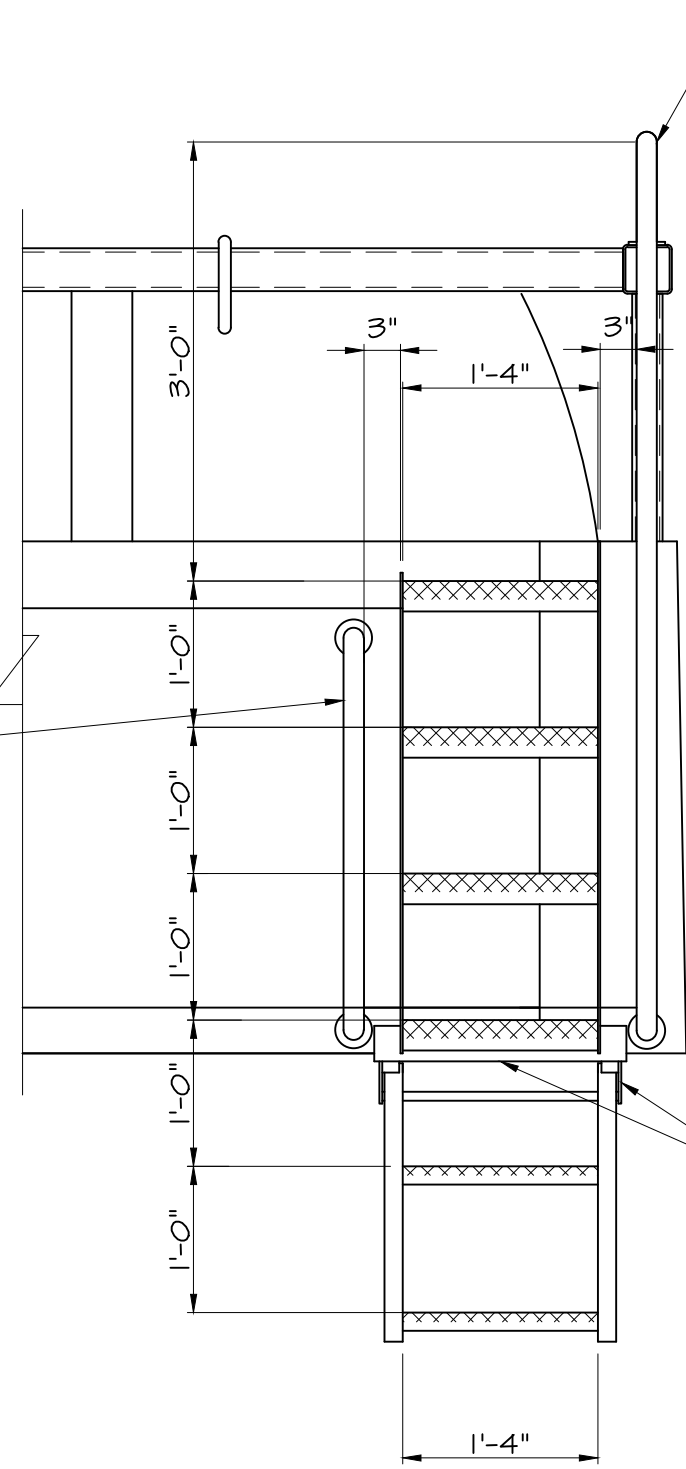
CLIENT	CITY OF WINNIPEG		
PROJECT	WATER TRUCK FALL PROTECTION		
LOCATION	WINNIPEG, MANITOBA		
DRAWING TITLE	FALL ARREST FRAME		
DGN/DWN BY	JC	DATE	JULY.013
CHECKED BY	FAR	DATE	
DWG NO.	2013176-S2		REVISED
			1



1/4"x3"φ PL.
C/W (2) 5/16"
SOCKET HEAD
CAP SCREWS
UMBRAKO
OR EQUAL

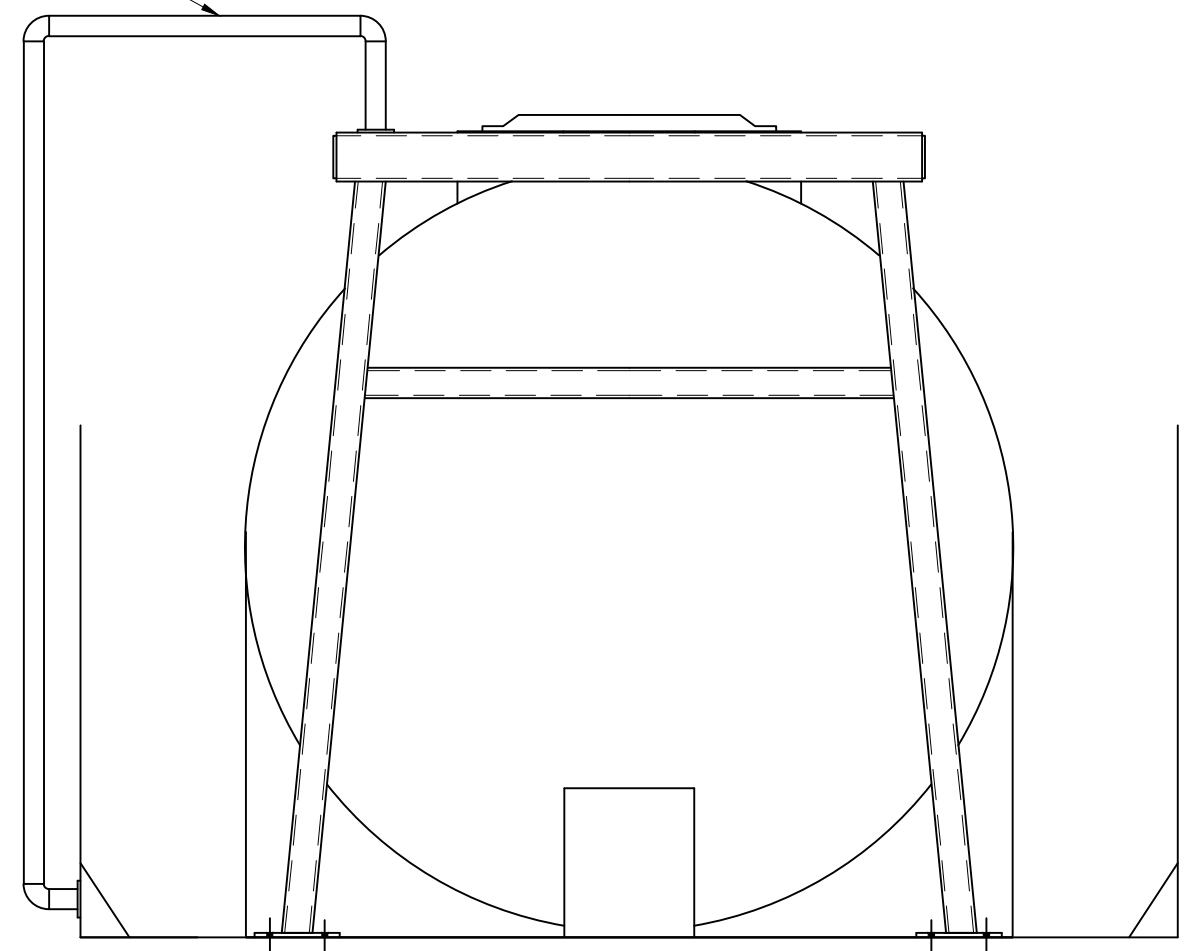
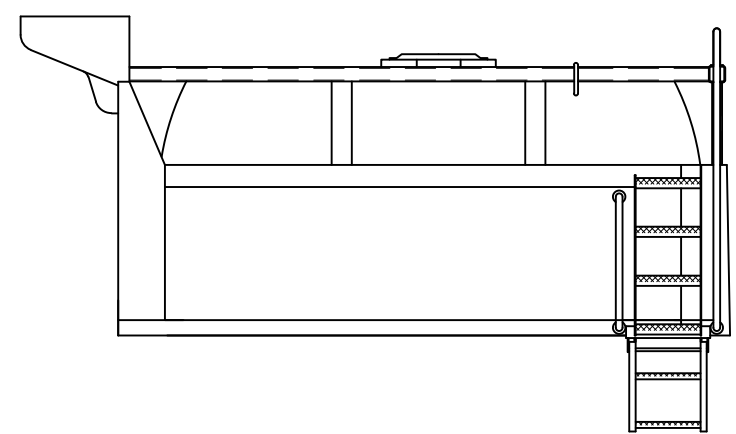
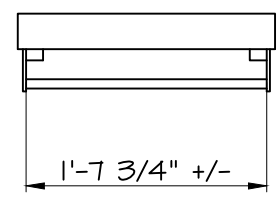
90° φ PIPE
SHORT RADIUS
ELBOW


GRAB RAIL
1.66"φ PIPE



GRAB RAIL
1.66"φ PIPE

REWORK EXISTING
RETRACTABLE LADDER
SUPPORT TO NEW
DIMENSIONS.



A		ISSUED FOR REVIEW & APPROVAL		JC	SEPT.3/2013
NO.	REVISIONS	BY	DATE		
 F.A. Roberts & Associates Ltd. Engineering Consultants <small>1304 Border St. Winnipeg, MB R3H 0M6 Ph. (204) 694-4600</small>					
CLIENT		CITY OF WINNIPEG			
PROJECT		WATER TRUCK FALL PROTECTION			
LOCATION		WINNIPEG, MANITOBA			
DRAWING TITLE		LADDER & GRAB RAILS BACK LOCATION			
DGN/DWN BY	JC	DATE	AUG.013	DWG NO.	2013176-53
CHECKED BY	FAR	DATE		REVISED	A



Continuous grab handles

Step on outside of body



Retractable Truck Step, 3 Rungs

[Home](#) > [Truck & Trailer Hardware](#) > [Steps](#) > [Retractable Truck Steps](#) > Retractable Truck Step, 3 Rungs

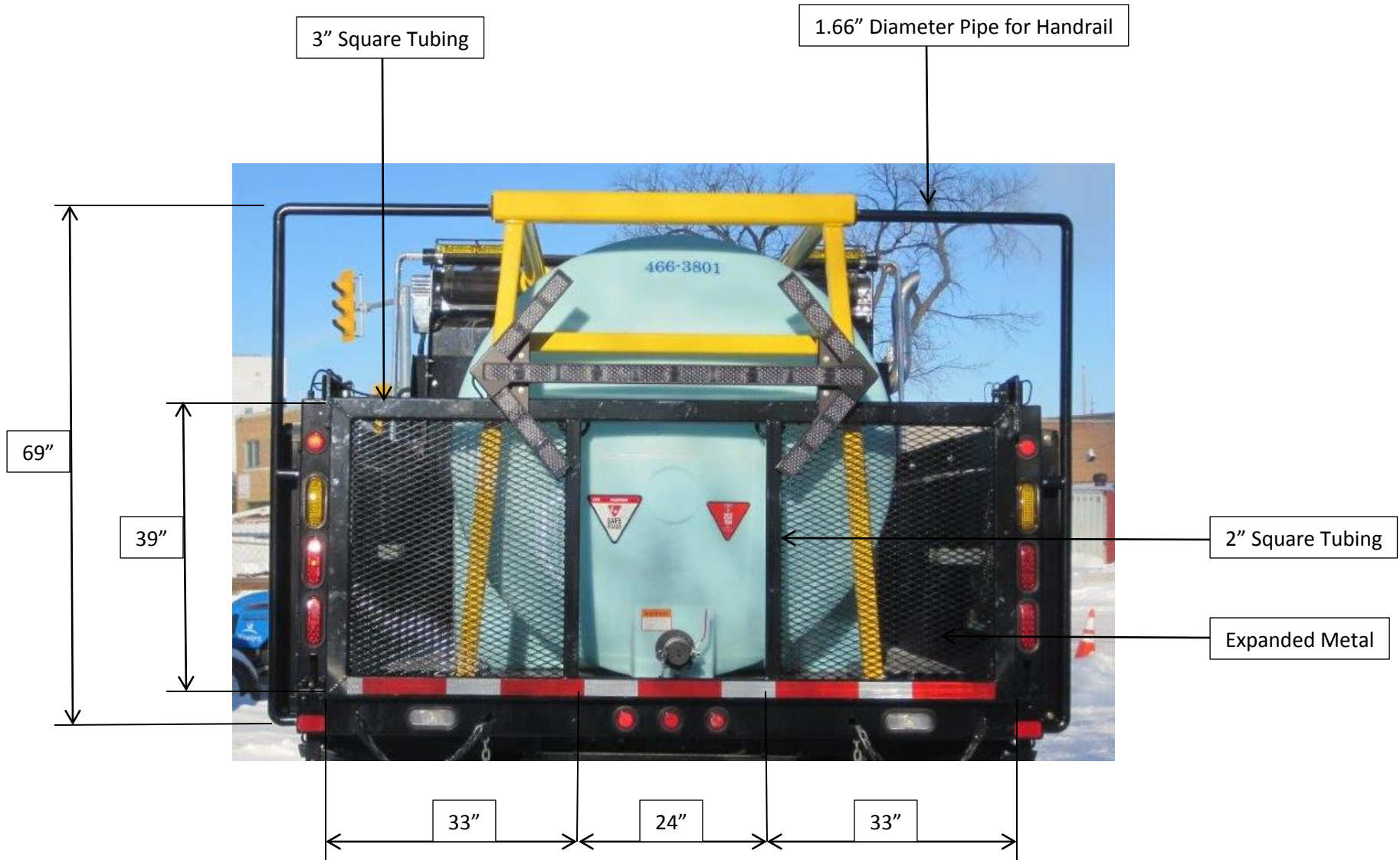
Nonslip treads.
Black powder coat finish.



- Specs**
- Drawing
- Additional Info/Notes
- Accessories/Parts
- Alt/Related Products
- Instructions

Part #	RS3
# of Rungs	3
Material/Finish	Steel, Black Powder Coat
Stows	Slide-in w/Drop
Weight	25 lbs.

Water Tank Truck Tailgate Dimensions



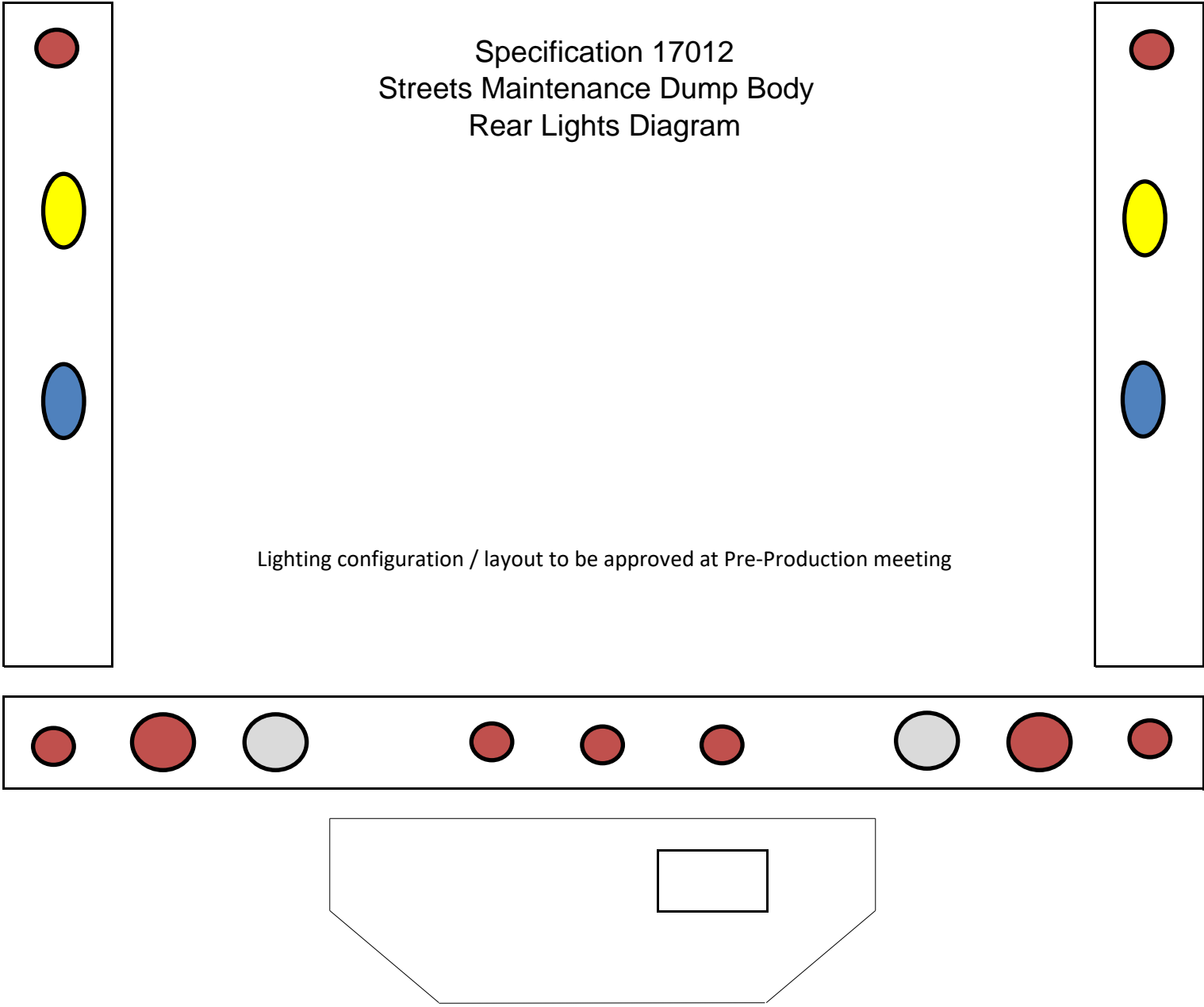
NTS: All Dimensions are approximate

Secondary Grab Handles

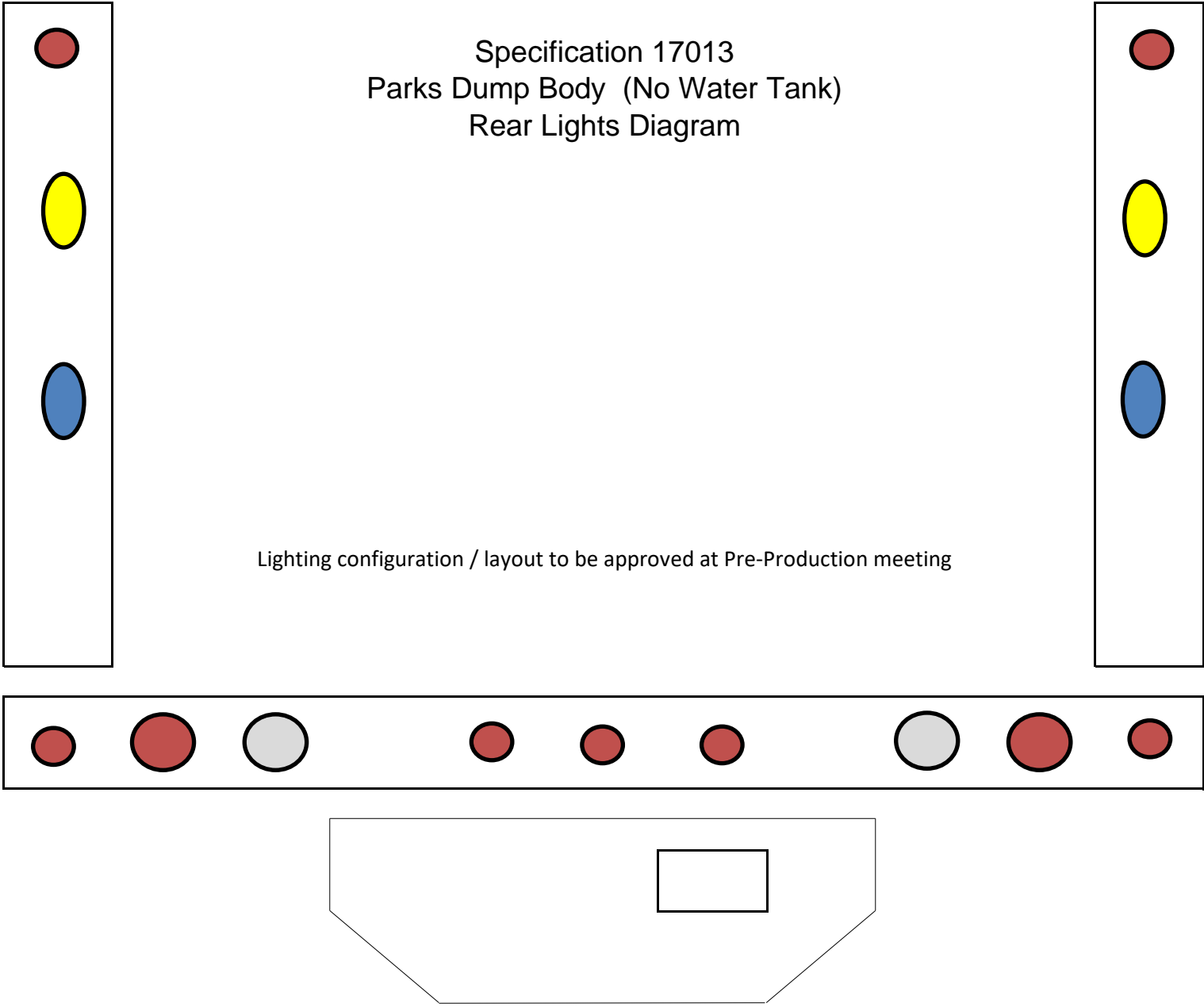


Secondary Grab Handles combined
or separately to match height of
Main Handrail

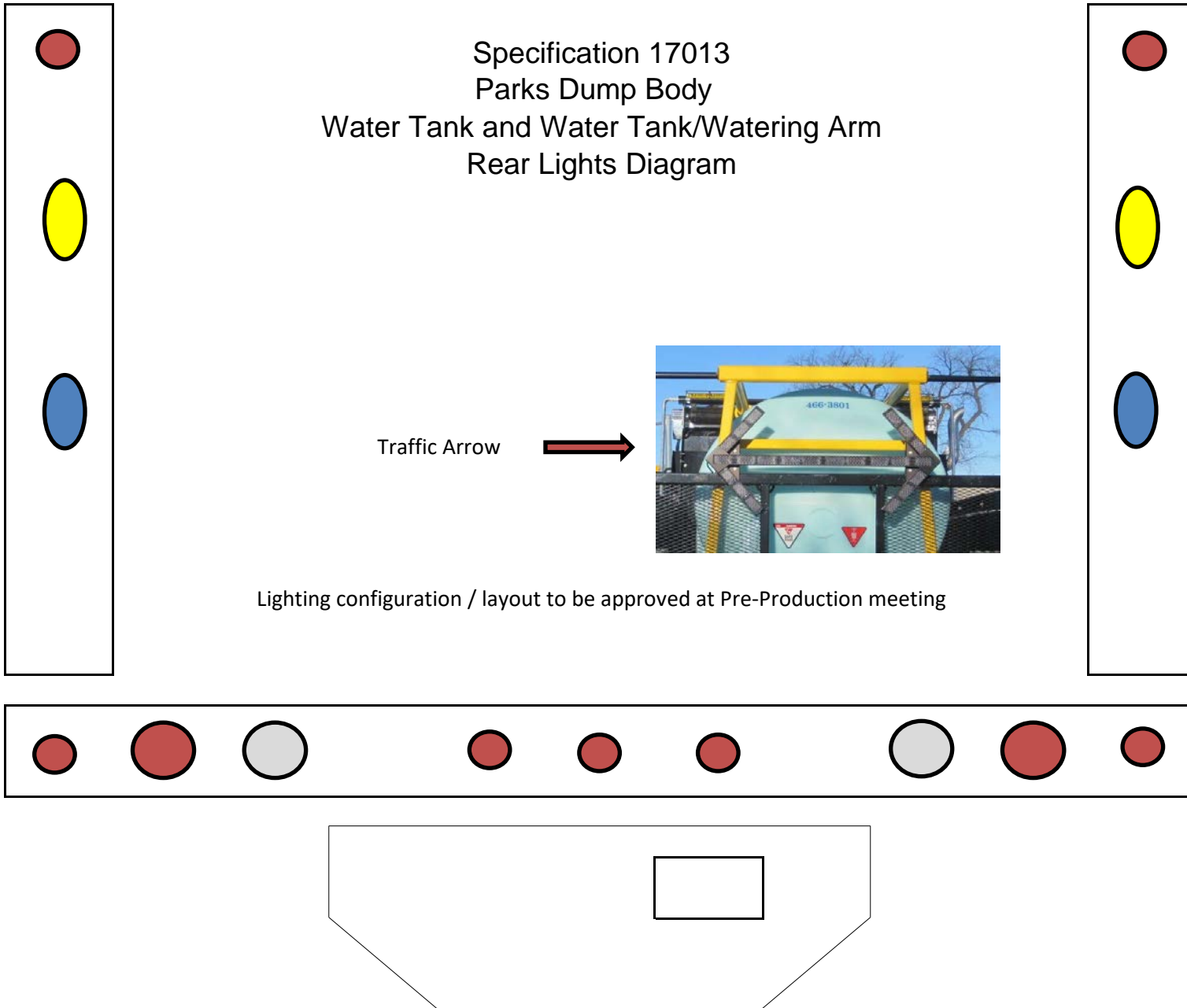
Specification 17012
Streets Maintenance Dump Body
Rear Lights Diagram



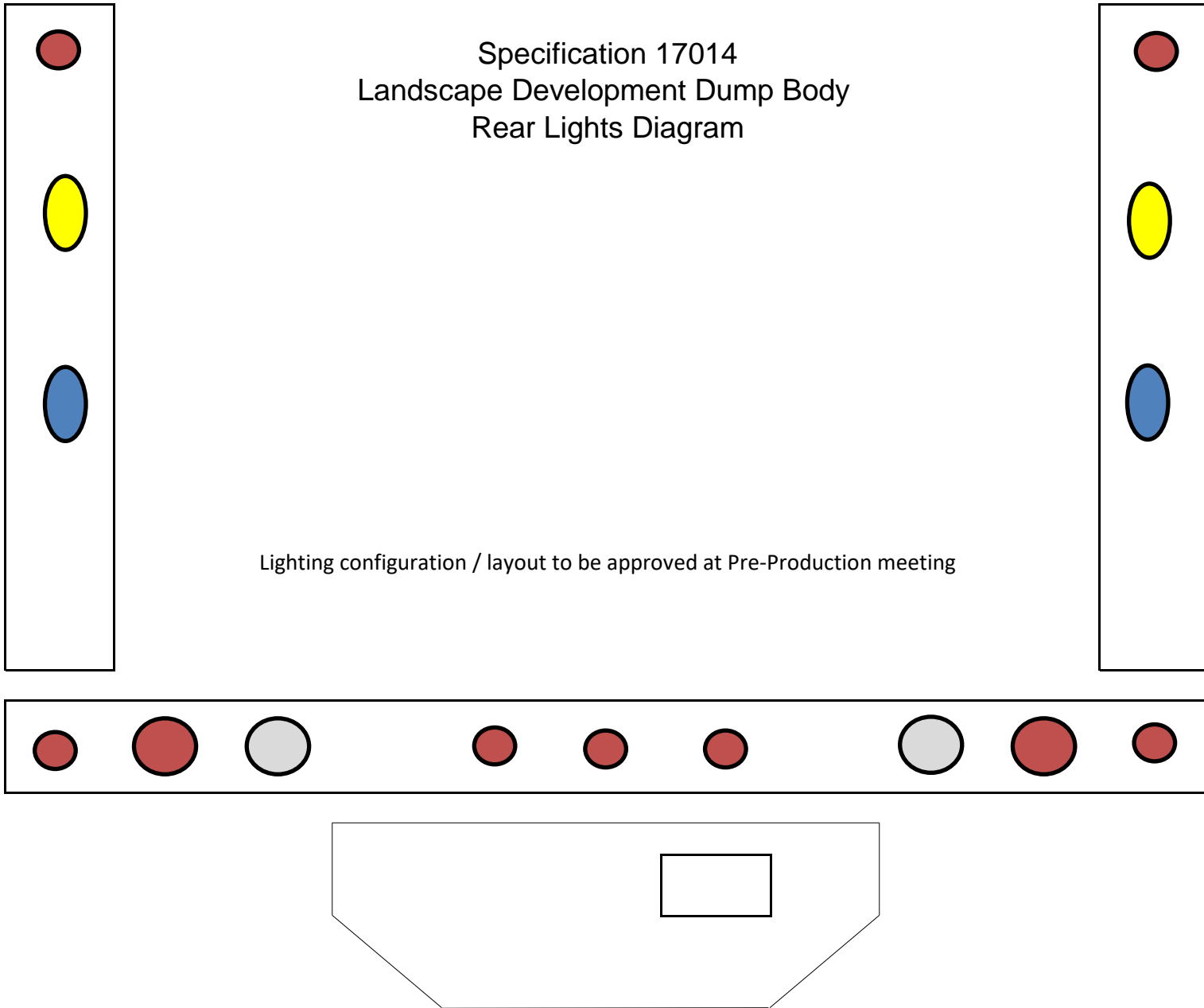
Specification 17013
Parks Dump Body (No Water Tank)
Rear Lights Diagram



Specification 17013
Parks Dump Body
Water Tank and Water Tank/Watering Arm
Rear Lights Diagram



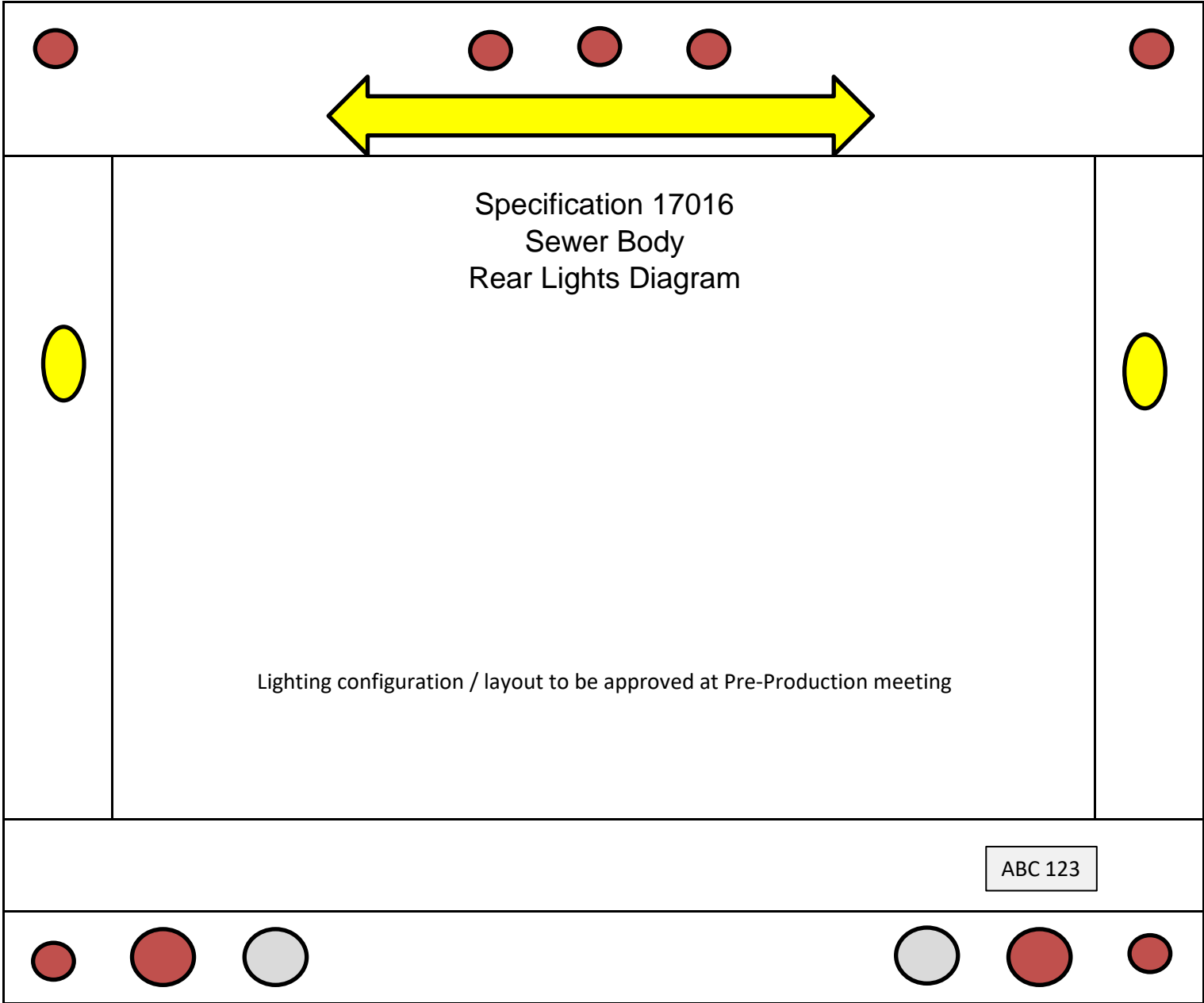
Specification 17014
Landscape Development Dump Body
Rear Lights Diagram



Specification 17015
Chipper Body
Rear Lights Diagram
Conspicuity Tape

Lighting configuration / layout to be approved at Pre-Production meeting





Specification 17017
Sewer Dump and Crane Body
Rear Lights Diagram

